



CORETECH™
TYPE C LAMPS
LUTRON®
COMPATIBLE

DESCRIPTION

Espen Technology's CoreTech Type C LED lamp and Lutron driver retrofit kits provide the perfect solution for upgrading aging fluorescent fixtures currently operating on obsolete Lutron EcoSystem® fluorescent ballasts. These comprehensive retrofit kits combine Espen's high-efficiency CoreTech LED lamps with either Lutron Hi-Lume 1% 3-Wire or Hi-Lume 1% Soft-On Fade-to-Black drivers, delivering superior light quality and performance while eliminating maintenance headaches. Allows large facilities to modernize their lighting infrastructure while maintaining existing fixtures and dimming systems while achieving significant energy savings.

FEATURES

- **Complete Retrofit Solution:** Type C LED PL lamps paired with compatible Lutron drivers in one convenient kit
- **High-Performance Lighting:** CoreTech LEDs deliver exceptional color rendering with 80+ CRI
- **Premium Dimming:** Hi-Lume 1% drivers provide smooth, flicker-free dimming to 1% of full light output
- **Soft-On Fade-to-Black Option:** Creates elegant transitions between off and on states
- **Drop-In Installation:** Designed for straightforward replacement of obsolete EcoSystem® ballasts
- **Extensive Compatibility:** Works with most standard fluorescent fixture housings (Plug-In Long replacements)
- **Silent Operation:** Eliminates ballast hum and vibration common in aging fluorescent systems
- **Maintain Existing 3-Wire Dimmers:** No need to rewire your facility's existing dimmers, just install driver and lamps.

ORDERING GUIDE

LULK / G24D / V / P / 2 / 8 / T / K / LO / HL1P / EM8

SERIES LAMP BASE ORIENTED DIRECTION LAMP MATERIAL LAMP QUANTITY CRI CCT DRIVER CASE OUTPUT LUTRON DRIVER SERIES EMERG. BACKUP

SERIES	
LULK	Lutron Driver & CoreTech Type C Retrofit Kit
LAMP BASE	
G24D	G24d Base 2-Pin Socket
ORIENTED DIRECTION	
H	Horizontal
V	Vertical
LAMP MATERIAL	
P	Plastic
LAMP QTY	
1	1 Lamp
2	2 Lamp
CRI	
8	80+ CRI

CCT	
T	3-CCT Field-Selectable (3000K/3500K/4000K)
DRIVER CASE	
K	Lutron K Case Studed
KN	Lutron K Case Non-Studed
M	Lutron M Case
OUTPUT	
HO	High Output (360mA)
NO	Normal Output (300mA)
LO	Low Output (250mA)
LUTRON DRIVER SERIES	
HL1P	Hi-Lume 1% EcoSystem Driver, Soft-On, Fade-to-Black (LDE1 Series)
HL1P3W	Hi-Lume 1% EcoSystem Driver, 3 Wire Dimming (L3DA Series)
EMERGENCY BACKUP	
EM8	8 Watt (1200 lm) 90 Min. Emergency Backup



PERFORMANCE DATA
HL1P Hi-Lume 1% EcoSystem DRIVER (LDE1 Seires)

PART #	ORIENTED DIRECTION	LAMPS PER DRIVER	SYSTEM WATTAGE	SYSTEM LUMENS	OUTPUT MODE	DRIVER CASE	DRIVER MODEL	LAMP MODEL
LULK/G24D/H/P/1/8T/K/LO/HL1P	Horizontal	1	6	740	Low	K	LDE1 4 U1UKS-AA025	CLD18WH/8T-XT
LULK/G24D/H/P/1/8T/KN/LO/HL1P	Horizontal	1	6	740	Low	KN	LDE1 4 U1UKN-AA025	CLD18WH/8T-XT
LULK/G24D/H/P/1/8T/M/LO/HL1P	Horizontal	1	6	740	Low	M	LDE1 1 U1UMN-MA025	CLD18WH/8T-XT
LULK/G24D/H/P/2/8T/K/LO/HL1P	Horizontal	2	12	1480	Low	K	LDE1 4 U1UKS-CA050	CLD18WH/8T-XT
LULK/G24D/H/P/2/8T/KN/LO/HL1P	Horizontal	2	12	1480	Low	KN	LDE1 4 U1UKN-CA050	CLD18WH/8T-XT
LULK/G24D/H/P/2/8T/M/LO/HL1P	Horizontal	2	12	1480	Low	M	LDE1 3 U1UMN-BA050	CLD18WH/8T-XT
LULK/G24D/V/P/1/8T/K/LO/HL1P	Vertical	1	6	740	Low	K	LDE1 4 U1UKS-AA025	CLD18WV/8T-XT
LULK/G24D/V/P/1/8T/KN/LO/HL1P	Vertical	1	6	740	Low	KN	LDE1 4 U1UKN-AA025	CLD18WV/8T-XT
LULK/G24D/V/P/1/8T/M/LO/HL1P	Vertical	1	6	740	Low	M	LDE1 1 U1UMN-MA025	CLD18WV/8T-XT
LULK/G24D/V/P/2/8T/K/LO/HL1P	Vertical	2	12	1480	Low	K	LDE1 4 U1UKS-CA050	CLD18WV/8T-XT
LULK/G24D/V/P/2/8T/KN/LO/HL1P	Vertical	2	12	1480	Low	KN	LDE1 4 U1UKN-CA050	CLD18WV/8T-XT
LULK/G24D/V/P/2/8T/M/LO/HL1P	Vertical	2	12	1480	Low	M	LDE1 3 U1UMN-BA050	CLD18WV/8T-XT
LULK/G24D/H/P/1/8T/K/NO/HL1P	Horizontal	1	7	850	Normal	K	LDE1 4 U1UKS-AA030	CLD18WH/8T-XT
LULK/G24D/H/P/1/8T/KN/NO/HL1P	Horizontal	1	7	850	Normal	KN	LDE1 4 U1UKN-AA030	CLD18WH/8T-XT
LULK/G24D/H/P/1/8T/M/NO/HL1P	Horizontal	1	7	850	Normal	M	LDE1 1 U1UMN-MA030	CLD18WH/8T-XT
LULK/G24D/H/P/2/8T/K/NO/HL1P	Horizontal	2	14	1700	Normal	K	LDE1 4 U1UKS-CA060	CLD18WH/8T-XT
LULK/G24D/H/P/2/8T/KN/NO/HL1P	Horizontal	2	14	1700	Normal	KN	LDE1 4 U1UKN-CA060	CLD18WH/8T-XT
LULK/G24D/H/P/2/8T/M/NO/HL1P	Horizontal	2	14	1700	Normal	M	LDE1 3 U1UMN-BA060	CLD18WH/8T-XT
LULK/G24D/V/P/1/8T/K/NO/HL1P	Vertical	1	7.5	910	Normal	K	LDE1 4 U1UKS-AA030	CLD18WV/8T-XT
LULK/G24D/V/P/1/8T/KN/NO/HL1P	Vertical	1	7.5	910	Normal	KN	LDE1 4 U1UKN-AA030	CLD18WV/8T-XT
LULK/G24D/V/P/1/8T/M/NO/HL1P	Vertical	1	7.5	910	Normal	M	LDE1 1 U1UMN-MA030	CLD18WV/8T-XT
LULK/G24D/V/P/2/8T/K/NO/HL1P	Vertical	2	15	1700	Normal	K	LDE1 4 U1UKS-CA060	CLD18WV/8T-XT
LULK/G24D/V/P/2/8T/KN/NO/HL1P	Vertical	2	15	1700	Normal	KN	LDE1 4 U1UKN-CA060	CLD18WV/8T-XT
LULK/G24D/V/P/2/8T/M/NO/HL1P	Vertical	2	15	1700	Normal	M	LDE1 3 U1UMN-BA060	CLD18WV/8T-XT
LULK/G24D/H/P/1/8T/K/HO/HL1P	Horizontal	1	8.5	1020	High	K	LDE1 4 U1UKS-AA036	CLD18WH/8T-XT
LULK/G24D/H/P/1/8T/KN/HO/HL1P	Horizontal	1	8.5	1020	High	KN	LDE1 4 U1UKN-AA036	CLD18WH/8T-XT
LULK/G24D/H/P/1/8T/M/HO/HL1P	Horizontal	1	8.5	1020	High	M	LDE1 1 U1UMN-MA036	CLD18WH/8T-XT
LULK/G24D/H/P/2/8T/K/HO/HL1P	Horizontal	2	17	2040	High	K	LDE1 4 U1UKS-CA072	CLD18WH/8T-XT
LULK/G24D/H/P/2/8T/KN/HO/HL1P	Horizontal	2	17	2040	High	KN	LDE1 4 U1UKN-CA072	CLD18WH/8T-XT
LULK/G24D/H/P/2/8T/M/HO/HL1P	Horizontal	2	17	2040	High	M	LDE1 3 U1UMN-BA072	CLD18WH/8T-XT
LULK/G24D/V/P/1/8T/K/HO/HL1P	Vertical	1	9	1080	High	K	LDE1 4 U1UKS-AA036	CLD18WV/8T-XT
LULK/G24D/V/P/1/8T/KN/HO/HL1P	Vertical	1	9	1080	High	KN	LDE1 4 U1UKN-AA036	CLD18WV/8T-XT
LULK/G24D/V/P/1/8T/M/HO/HL1P	Vertical	1	9	1080	High	M	LDE1 1 U1UMN-MA036	CLD18WV/8T-XT
LULK/G24D/V/P/2/8T/K/HO/HL1P	Vertical	2	18	2040	High	K	LDE1 4 U1UKS-CA072	CLD18WV/8T-XT
LULK/G24D/V/P/2/8T/KN/HO/HL1P	Vertical	2	18	2040	High	KN	LDE1 4 U1UKN-CA072	CLD18WV/8T-XT
LULK/G24D/V/P/2/8T/M/HO/HL1P	Vertical	2	18	2040	High	M	LDE1 3 U1UMN-BA072	CLD18WV/8T-XT



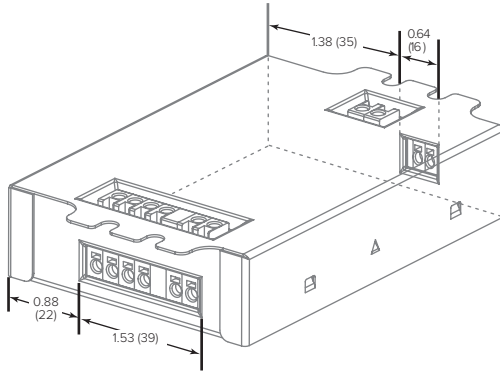
PERFORMANCE DATA
HL1P3W Hi-Lume 1% EcoSystem / 3-Wire DRIVER (L3D Seires)

PART #	ORIENTED DIRECTION	LAMPS PER DRIVER	SYSTEM WATTAGE	SYSTEM LUMENS	OUTPUT MODE	DRIVER CASE	DRIVER MODEL	LAMP MODEL
LULK/G24D/H/P/1/8T/K/LO/HL1P3W	Horizontal	1	6	740	Low	K	L3DA4U1UKS-HA025	CLD18WH/8T-XT
LULK/G24D/H/P/1/8T/KN/LO/HL1P3W	Horizontal	1	6	740	Low	KN	L3DA4U1UKN-HA025	CLD18WH/8T-XT
LULK/G24D/H/P/1/8T/M/LO/HL1P3W	Horizontal	1	6	740	Low	M	L3DA4U1UMN-HA025	CLD18WH/8T-XT
LULK/G24D/H/P/2/8T/K/LO/HL1P3W	Horizontal	2	12	1480	Low	K	L3DA4U1UKS-HA050	CLD18WH/8T-XT
LULK/G24D/H/P/2/8T/KN/LO/HL1P3W	Horizontal	2	12	1480	Low	KN	L3DA4U1UKN-HA050	CLD18WH/8T-XT
LULK/G24D/H/P/2/8T/M/LO/HL1P3W	Horizontal	2	12	1480	Low	M	L3DA4U1UMN-HA050	CLD18WH/8T-XT
LULK/G24D/V/P/1/8T/K/LO/HL1P3W	Vertical	1	6	740	Low	K	L3DA4U1UKS-HA025	CLD18WV/8T-XT
LULK/G24D/V/P/1/8T/KN/LO/HL1P3W	Vertical	1	6	740	Low	KN	L3DA4U1UKN-HA025	CLD18WV/8T-XT
LULK/G24D/V/P/1/8T/M/LO/HL1P3W	Vertical	1	6	740	Low	M	L3DA4U1UMN-HA025	CLD18WV/8T-XT
LULK/G24D/V/P/2/8T/K/LO/HL1P3W	Vertical	2	12	1480	Low	K	L3DA4U1UKS-HA050	CLD18WV/8T-XT
LULK/G24D/V/P/2/8T/KN/LO/HL1P3W	Vertical	2	12	1480	Low	KN	L3DA4U1UKN-HA050	CLD18WV/8T-XT
LULK/G24D/V/P/2/8T/M/LO/HL1P3W	Vertical	2	12	1480	Low	M	L3DA4U1UMN-HA050	CLD18WV/8T-XT
LULK/G24D/H/P/1/8T/K/NO/HL1P3W	Horizontal	1	7	850	Normal	K	L3DA4U1UKS-HA030	CLD18WH/8T-XT
LULK/G24D/H/P/1/8T/KN/NO/HL1P3W	Horizontal	1	7	850	Normal	KN	L3DA4U1UKN-HA030	CLD18WH/8T-XT
LULK/G24D/H/P/1/8T/M/NO/HL1P3W	Horizontal	1	7	850	Normal	M	L3DA4U1UMN-HA030	CLD18WH/8T-XT
LULK/G24D/H/P/2/8T/K/NO/HL1P3W	Horizontal	2	14	1700	Normal	K	L3DA4U1UKS-HA060	CLD18WH/8T-XT
LULK/G24D/H/P/2/8T/KN/NO/HL1P3W	Horizontal	2	14	1700	Normal	KN	L3DA4U1UKN-HA060	CLD18WH/8T-XT
LULK/G24D/H/P/2/8T/M/NO/HL1P3W	Horizontal	2	14	1700	Normal	M	L3DA4U1UMN-HA060	CLD18WH/8T-XT
LULK/G24D/V/P/1/8T/K/NO/HL1P3W	Vertical	1	7.5	910	Normal	K	L3DA4U1UKS-HA030	CLD18WV/8T-XT
LULK/G24D/V/P/1/8T/KN/NO/HL1P3W	Vertical	1	7.5	910	Normal	KN	L3DA4U1UKN-HA030	CLD18WV/8T-XT
LULK/G24D/V/P/1/8T/M/NO/HL1P3W	Vertical	1	7.5	910	Normal	M	L3DA4U1UMN-HA030	CLD18WV/8T-XT
LULK/G24D/V/P/2/8T/K/NO/HL1P3W	Vertical	2	15	1700	Normal	K	L3DA4U1UKS-HA060	CLD18WV/8T-XT
LULK/G24D/V/P/2/8T/KN/NO/HL1P3W	Vertical	2	15	1700	Normal	KN	L3DA4U1UKN-HA060	CLD18WV/8T-XT
LULK/G24D/V/P/2/8T/M/NO/HL1P3W	Vertical	2	15	1700	Normal	M	L3DA4U1UMN-HA060	CLD18WV/8T-XT
LULK/G24D/H/P/1/8T/K/HO/HL1P3W	Horizontal	1	8.5	1020	High	K	L3DA4U1UKS-HA036	CLD18WH/8T-XT
LULK/G24D/H/P/1/8T/KN/HO/HL1P3W	Horizontal	1	8.5	1020	High	KN	L3DA4U1UKN-HA036	CLD18WH/8T-XT
LULK/G24D/H/P/1/8T/M/HO/HL1P3W	Horizontal	1	8.5	1020	High	M	L3DA4U1UMN-HA036	CLD18WH/8T-XT
LULK/G24D/H/P/2/8T/K/HO/HL1P3W	Horizontal	2	17	2040	High	K	L3DA4U1UKS-JA072	CLD18WH/8T-XT
LULK/G24D/H/P/2/8T/KN/HO/HL1P3W	Horizontal	2	17	2040	High	KN	L3DA4U1UKN-JA072	CLD18WH/8T-XT
LULK/G24D/H/P/2/8T/M/HO/HL1P3W	Horizontal	2	17	2040	High	M	L3DA4U1UMN-JA072	CLD18WH/8T-XT
LULK/G24D/V/P/1/8T/K/HO/HL1P3W	Vertical	1	9	1080	High	K	L3DA4U1UKS-HA036	CLD18WV/8T-XT
LULK/G24D/V/P/1/8T/KN/HO/HL1P3W	Vertical	1	9	1080	High	KN	L3DA4U1UKN-HA036	CLD18WV/8T-XT
LULK/G24D/V/P/1/8T/M/HO/HL1P3W	Vertical	1	9	1080	High	M	L3DA4U1UMN-HA036	CLD18WV/8T-XT
LULK/G24D/V/P/2/8T/K/HO/HL1P3W	Vertical	2	18	2040	High	K	L3DA4U1UKS-JA072	CLD18WV/8T-XT
LULK/G24D/V/P/2/8T/KN/HO/HL1P3W	Vertical	2	18	2040	High	KN	L3DA4U1UKN-JA072	CLD18WV/8T-XT
LULK/G24D/V/P/2/8T/M/HO/HL1P3W	Vertical	2	18	2040	High	M	L3DA4U1UMN-JA072	CLD18WV/8T-XT

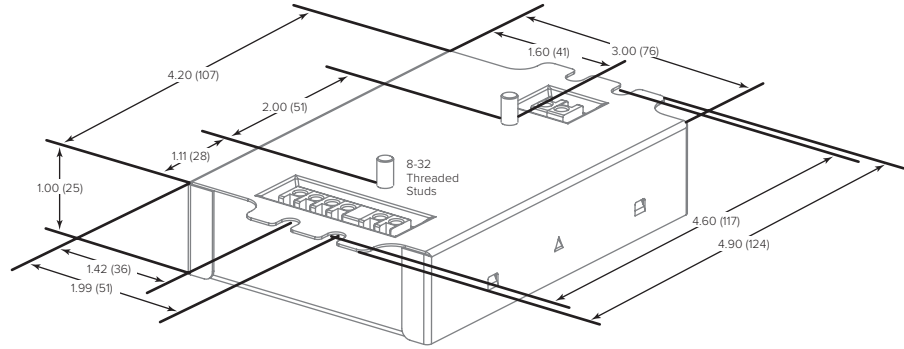


DRIVER DIMENSION

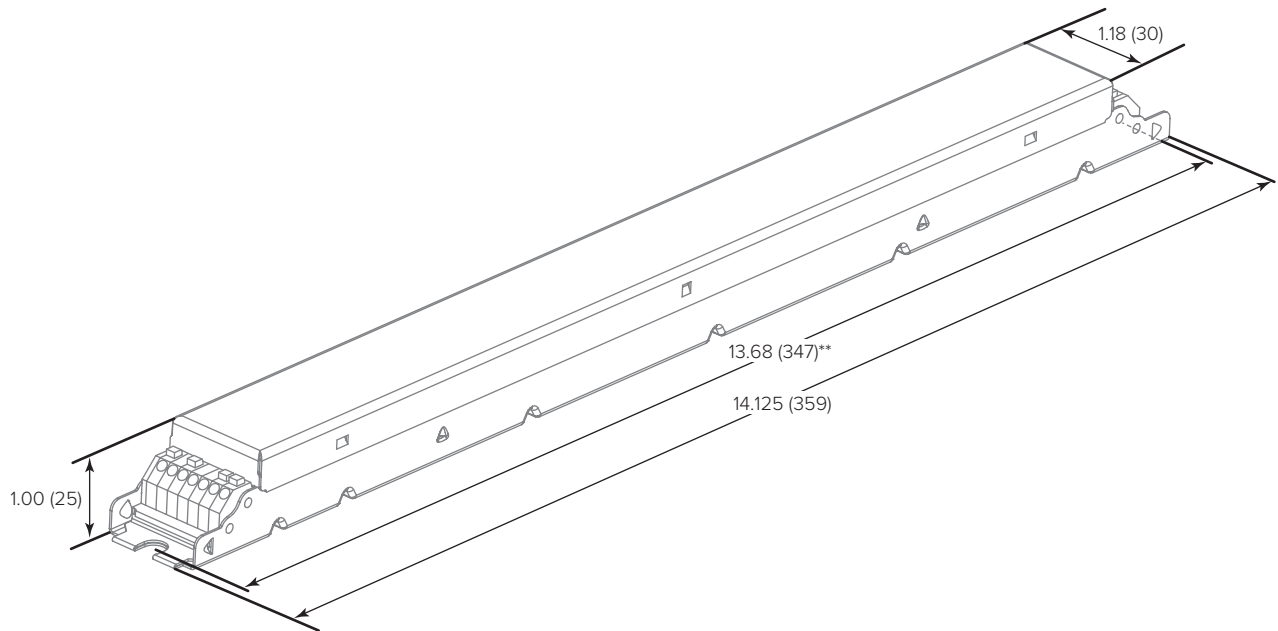
KN - Case
Non-Studed



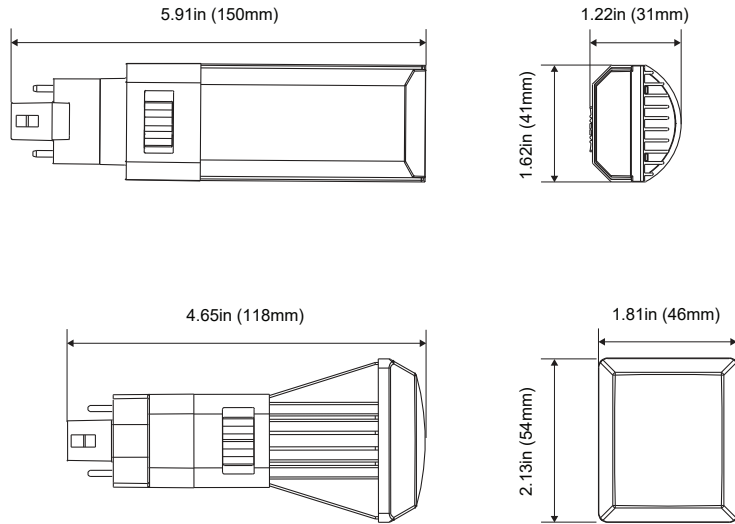
K - Case
Studed



M-case Type



LAMP DIMENSION



EMERGENCY BACKUP CONFIGURATION

