



versaKIT™
RETROFIT KIT
LUTRON®
COMPATIBLE

DESCRIPTION

Espen Technology's versaKIT and Lutron driver retrofit kits provide the perfect solution for upgrading aging fluorescent fixtures currently operating on obsolete Lutron EcoSystem® fluorescent ballasts. These comprehensive retrofit kits combine Espen's high-efficiency door frame retrofit kit with either Lutron Hi-Lume 1% 3-Wire or Hi-Lume 1% Soft-On Fade-to-Black drivers, delivering superior light quality and performance while eliminating maintenance headaches. Allows large facilities to modernize their lighting infrastructure while maintaining existing fixtures and dimming systems while achieving significant energy savings.

FEATURES

- **Complete Retrofit Solution:** New fixture looking door frame retrofit kit with compatible Lutron drivers
- **Premium Dimming:** Hi-Lume 1% drivers provide smooth, flicker-free dimming to 1% of full light output
- **Drop-In Installation:** Designed for straightforward replacement of obsolete EcoSystem® ballasts
- **Extensive Compatibility:** Works with most standard fluorescent fixture housings (1'x4', 2'x2', 2'x4' replacements)
- **Silent Operation:** Eliminates ballast hum and vibration common in aging fluorescent systems
- **Maintain Existing 3-Wire Dimmers:** No need to rewire your facility's existing dimmers, just install driver and doorframe kit.

ORDERING GUIDE

LUKT / 22 / 30W / CS / UNV / WH / SRB / HL1P / EM8
 SERIES SIZE WATTAGE CRI & CCT VOLTAGE FINISH CONTROLS LUTRON DRIVER SERIES EMERG. BACKUP

SERIES	
LUKT	Lutron Driver & Troffer Retrofit Kit
SIZE	
14	1x4 Nominal Size
22	2x2 Nominal Size
24	2x4 Nominal Size
WATTAGE	
30W	30W. 3,750lm (1x4, 2x2)
34W	34W. 4,250lm (2x4)
CRI & CCT	
CS	80+ CRI, 35K, 40K, 50K CCT Select.
9CS	90+ CRI, 35K, 40K, 50K CCT Select.

VOLTAGE	
UNV	Universal 120-277VAC
FINISH	
WH	White Finish
CONTROLS	
SRB	Sensor Ready Bracket
LUTRON DRIVER SERIES	
HL1P	Hi-Lume 1% EcoSystem Driver, Soft-On, Fade-to-Black (LDE1 Series)
HL1P3W	Hi-Lume 1% EcoSystem Driver, 3 Wire Dimming (L3DA Series)
EMERGENCY BACKUP	
EM8	8 Watt (1200 lm) 90 Min. Emergency Backup



PERFORMANCE DATA

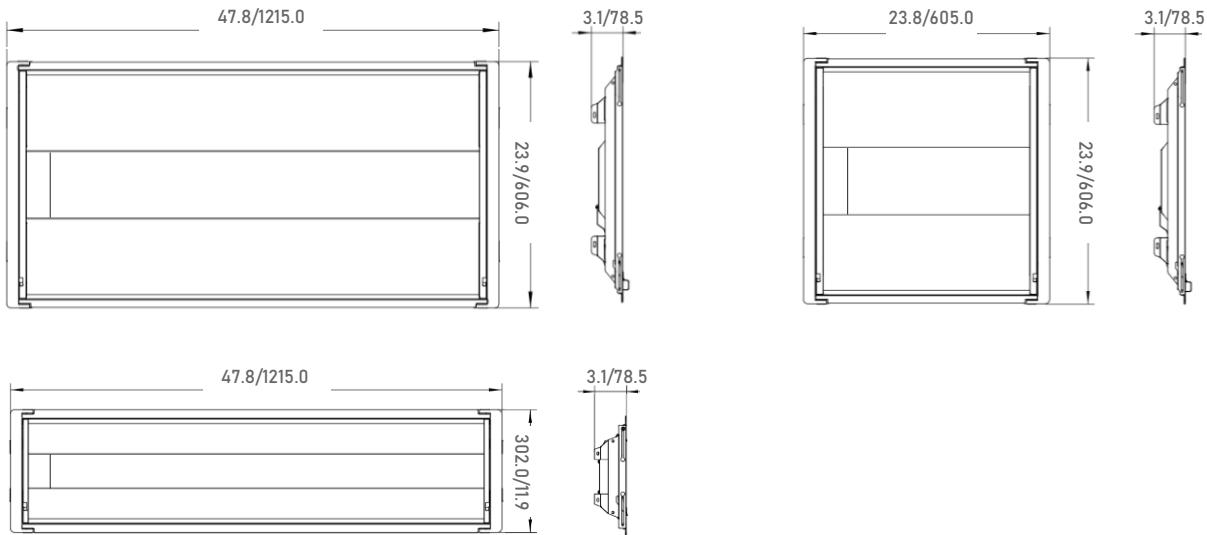
HL1P Hi-Lume 1% EcoSystem DRIVER (LDE1 Seires)

PART #	SIZE	SYSTEM WATTAGE	SYSTEM LUMENS	CRI	CCT	DRIVER MODEL
LUKT/14/30W/CS/UNV/WH/SRB/HL1P	1'x4'	30	3750	80+	3500K/4000K/5000K	LDE1 3 U1UMN-TA065
LUKT/22/30W/CS/UNV/WH/SRB/HL1P	2'x2'	30	3750	80+	3500K/4000K/5000K	LDE1 3 U1UMN-TA065
LUKT/24/34W/CS/UNV/WH/SRB/HL1P	2'x4'	34	4250	80+	3500K/4000K/5000K	LDE1 3 U1UMN-TA075

HL1P3W Hi-Lume 1% EcoSystem / 3-Wire DRIVER (L3D Seires)

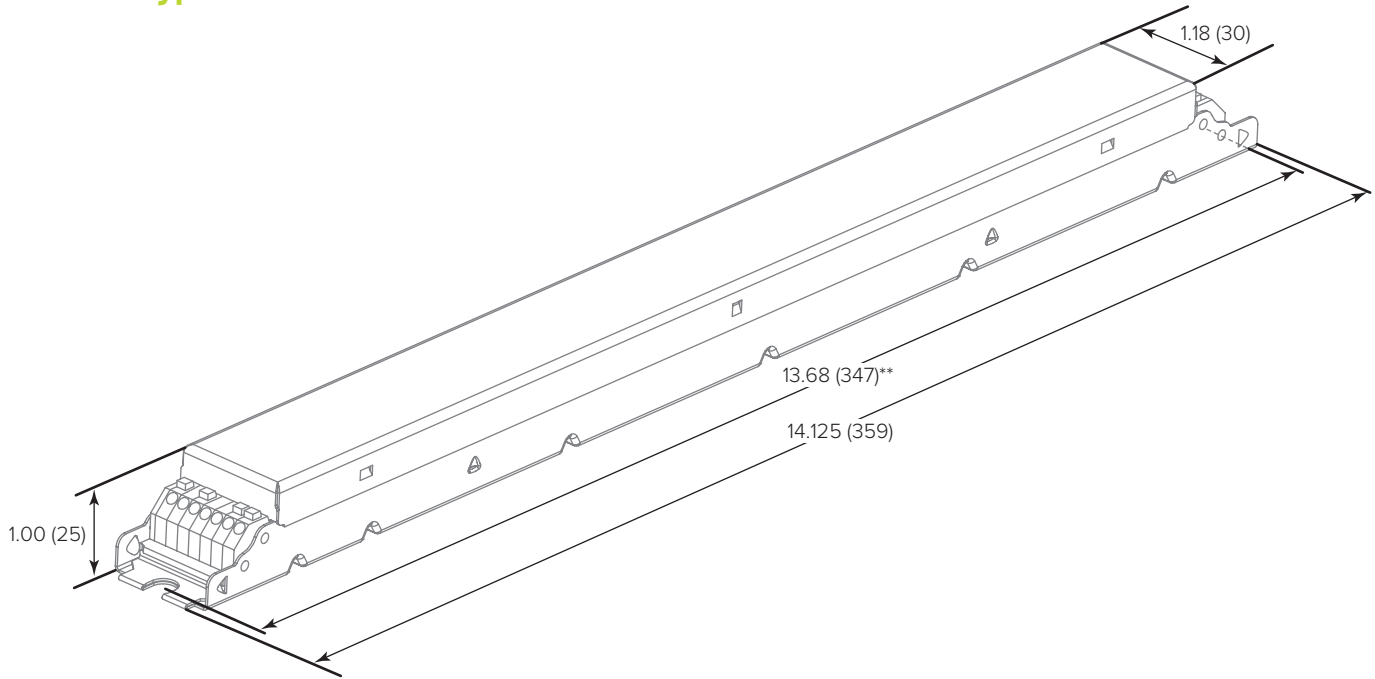
PART #	SIZE	SYSTEM WATTAGE	SYSTEM LUMENS	CRI	CCT	DRIVER MODEL
LUKT/14/30W/CS/UNV/WH/SRB/HL1P3W	1'x4'	30	3750	80+	3500K/4000K/5000K	L3DA4U1UMN-FA065
LUKT/22/30W/CS/UNV/WH/SRB/HL1P3W	2'x2'	30	3750	80+	3500K/4000K/5000K	L3DA4U1UMN-FA065
LUKT/24/34W/CS/UNV/WH/SRB/HL1P3W	2'x4'	34	4250	80+	3500K/4000K/5000K	L3DA4U1UMN-FA075

DIMENSION



DRIVER DIMENSION

M-case Type



EMERGENCY BACKUP CONFIGURATION

