

Client:	
Order #:	
Project:	
Type:	

DESCRIPTION

This advanced flat panel retrofit kit easily converts 1x4, 2x2, 2x4 Fluorescent troffers to the most current LED lighting technology. With a very high efficiency and optional controls this completely pre-assembled kit can provide excellent energy savings over legacy troffers. With an install time around 1 minute, these kits reduce labor costs and increase the ROI for end users. Perfect for interior applications such as: offices, retail, healthcare, education and hospitality projects.

FEATURES

- Field selectable 80+ CRI, 3500K, 4000K, and 5000K CCTs
- Frosted Diffuser Lens reduces glare and increases visual comfort
- Automatically adjusts to full illumination in Emergency mode
- Optional integral sensor options for PIR Occupancy, Daylight Harvesting, Luminaire Level Lighting Control (LLLC) and Bi-Level operation
- Choose from various high quality sensor manufacturers including Keilton and more
- Universal 120-277 AC voltage (50-60Hz) is standard
- 0-10V Dimmable using compatible dimmer with Dim-to-off

PERFORMANCE DATA

Input Voltage

120-277VAC 50/60Hz

Efficacy

125 LPW

Projected Lifetime

>70,000 Hours (L70)

Dimming

0-10V Dimming Standard, 10-100% Dim-to-off, 12V Aux

CRI

80+

CCT

3500K, 4000K, 5000K Selectable

Operating Temperature

-20° to 50°C

Warranty

5 year Standard

ORDERING INFORMATION

VEKT-DP / _____ / _____ / _____ / _____ / _____ / _____ / _____ / _____

SERIES SIZE DRIVER FEATURES SENSOR BRACKET CRI / CCT WATTAGE SENSOR BUY AMERICA WARRANTY

FIXTURE SERIES	
VEKT-DP	LED Flat Panel Retrofit Kit
SIZE	
1X4	1x4 Nominal Size
2X2	2x2 Nominal Size
2X4	2x4 Nominal Size
DRIVER FEATURES	
AD	12V Aux Power, 0-10V Dimming, Dim-to-off
SENSOR BRACKET	
SRB	Sensor Ready Bracket
CRI / CCT	
8T	80+ CRI, 3500K, 4000K, 5000K CCT Selectable

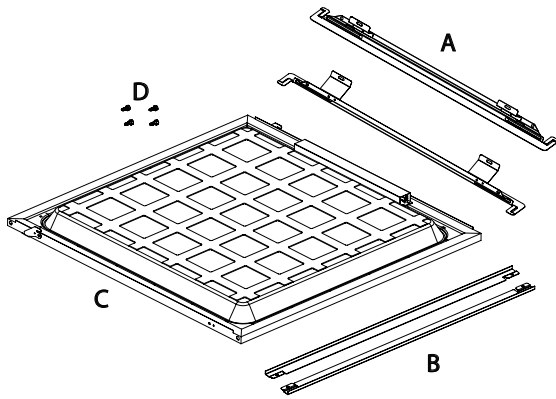
WATTAGE	
18W/22W/25W	18W, 22W, and 25 Watt Selectable (1x4 and 2x2 ONLY)
23W/30W/36W	23W, 30W, and 36 Watt Selectable (2x4 ONLY)
SENSOR	
-	No Motion Sensor
KEI-IFS108	Keilton IFS108, Bluetooth 5.0 Network, PIR Motion and Daylight Harvesting
BUY AMERICA	
-	Standard Overseas Production
TAA	Trade America Act Compliant
WARRANTY	
-	5 Year Warranty (Standard)

ACCESSORIES (Order Separately)	
SMK_VEKT-DP1x4	1x4 Surface Mount Kit for VEKT-DP flat panel retrofit kit
SMK_VEKT-DP2x2	2x2 Surface Mount Kit for VEKT-DP flat panel retrofit kit
SMK_VEKT-DP2x4	2x4 Surface Mount Kit for VEKT-DP flat panel retrofit kit
EM8-FI	8W Emergency Battery Backup, VEMB8W-10V(D) Field Install
EM8-FA	8W Emergency Battery Backup, VEMB8W-10V(D) Factory Assembled



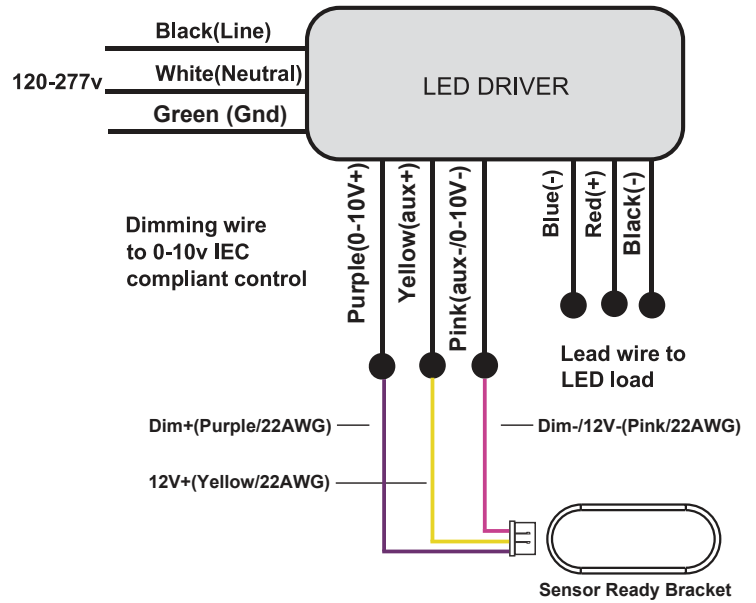
*Not all configurations are DLC listed. Consult factory or DLC's QPL (Qualified Product List) for more info.

KIT INCLUDES

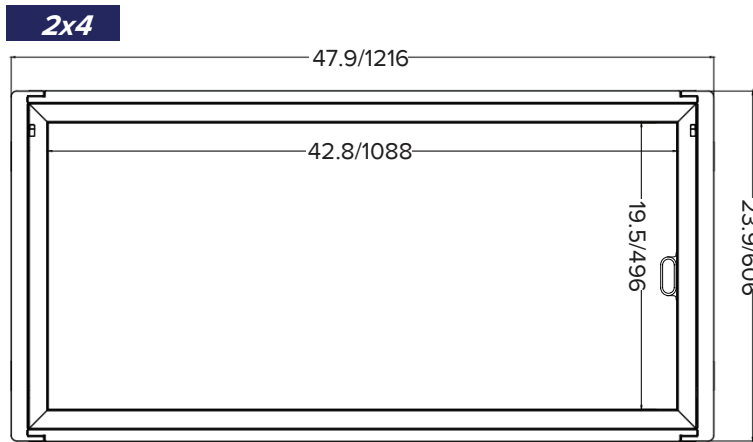


- A: End Plates 2pcs
- B: Side Plates 2pcs
- C: Door Assembly body 1pcs
- D: Self-tapping screws 4pcs

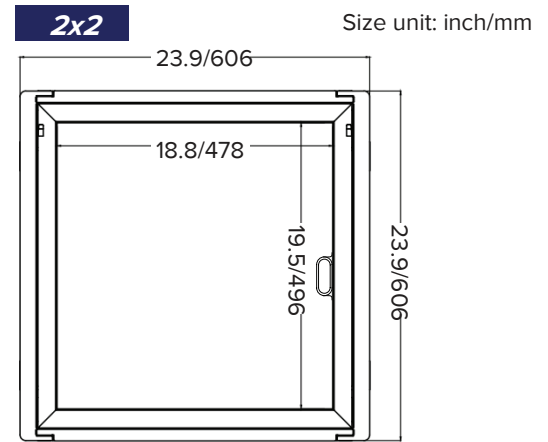
WIRING DIAGRAM



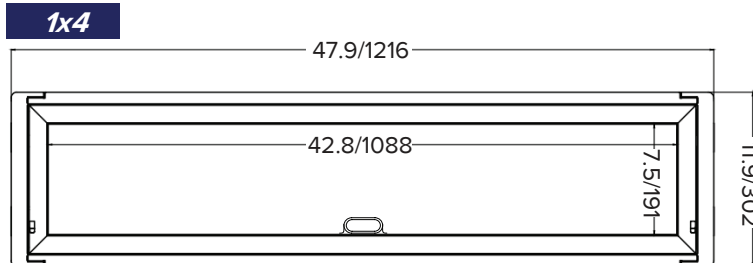
DIMENSIONS



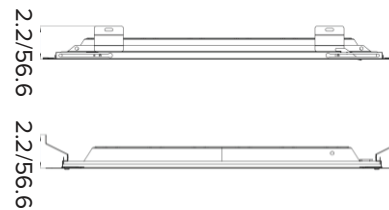
Net weight: 9.6lb/4.4Kg



Net weight: 4.9lb/2.2Kg



Net weight: 5.2lb/2.4Kg



SURFACE MOUNT KIT
SMK_VEKT-DP2X2

