

## DESCRIPTION

Espen Technology's CoreTech Type C LED lamp and Lutron driver retrofit kits provide the perfect solution for upgrading aging fluorescent fixtures currently operating on obsolete Lutron EcoSystem® fluorescent ballasts. These comprehensive retrofit kits combine Espen's high-efficiency CoreTech LED lamps with either Lutron Hi-Lume 1% 3-Wire or Hi-Lume 1% Soft-On Fade-to-Black drivers, delivering superior light quality and performance while eliminating maintenance headaches. Allows large facilities to modernize their lighting infrastructure while maintaining existing fixtures and dimming systems while achieving significant energy savings.

## FEATURES

- **Complete Retrofit Solution:** Type C LED PL-L lamps paired with compatible Lutron drivers in one convenient kit
- **High-Performance Lighting:** CoreTech LEDs deliver exceptional color rendering with 80+ CRI
- **Premium Dimming:** Hi-Lume 1% drivers provide smooth, flicker-free dimming to 1% of full light output
- **Soft-On Fade-to-Black Option:** Creates elegant transitions between off and on states
- **Drop-In Installation:** Designed for straightforward replacement of obsolete EcoSystem® ballasts
- **Extensive Compatibility:** Works with most standard fluorescent fixture housings (Plug-In Long replacements)
- **Silent Operation:** Eliminates ballast hum and vibration common in aging fluorescent systems
- **Maintain Existing 3-Wire Dimmers:** No need to rewire your facility's existing dimmers, just install driver and lamps.

## ORDERING GUIDE

**LULK / 2G11 / 18W / P / 2 / 8 / T / K / LO / HL1P / EM8**

SERIES      LAMP BASE      REPLACEMENT FLUO. WATT      LAMP MATERIAL      LAMP QUANTITY      CRI      CCT      DRIVER CASE      OUTPUT      LUTRON DRIVER SERIES      EMERG. BACKUP

SERIES	
<b>LULK</b>	Lutron Driver & CoreTech Type C Retrofit Kit
LAMP BASE	
<b>2G11</b>	2G11 Base 4-Pin Socket
REPLACEMENT FLUORESCENT WATTAGE	
<b>18W</b>	PLL 18W Replacement
<b>24W</b>	PLL 24W Replacement
<b>36W</b>	PLL 36W Replacement
<b>40W</b>	PLL 40W Replacement
LAMP MATERIAL	
<b>P</b>	Plastic
LAMP QTY	
<b>1</b>	1 Lamp
<b>2</b>	2 Lamp
<b>3</b>	3 Lamp
CRI	
<b>8</b>	80+ CRI

CCT	
<b>T</b>	3-CCT Field-Selectable (3500K/4000K/5000K)
DRIVER CASE	
<b>K</b>	Lutron K Case Studed
<b>KN</b>	Lutron K Case Non-Studed
<b>M</b>	Lutron M Case
OUTPUT	
<b>HO</b>	High Output (360mA)
<b>NO</b>	Normal Output (300mA)
<b>LO</b>	Low Output (250mA)
LUTRON DRIVER SERIES	
<b>HL1P</b>	Hi-Lume 1% EcoSystem Driver, Soft-On, Fade-to-Black (LDE1 Series)
<b>HL1P3W</b>	Hi-Lume 1% EcoSystem Driver, 3 Wire Dimming (L3DA Series)
EMERGENCY BACKUP	
<b>EM8</b>	8 Watt (1200 lm) 90 Min. Emergency Backup



## PERFORMANCE DATA

### HL1P Hi-Lume 1% EcoSystem DRIVER (LDE1 Seires)

PART #	LAMP LENGTH	LAMPS PER DRIVER	SYSTEM WATTAGE	SYSTEM LUMENS	OUTPUT MODE	DRIVER CASE	DRIVER MODEL	LAMP MODEL
LULK/2G11/18W/P/1/8T/K/LO/HL1P	9.2"	1	5.5	840	Low	K	LDE1 4 U1UKS-AA025	LT18W/8T-XT
LULK/2G11/18W/P/1/8T/KN/LO/HL1P	9.2"	1	5.5	840	Low	KN	LDE1 4 U1UKN-AA025	LT18W/8T-XT
LULK/2G11/18W/P/1/8T/M/LO/HL1P	9.2"	1	5.5	840	Low	M	LDE1 1 U1UMN-MA025	LT18W/8T-XT
LULK/2G11/18W/P/2/8T/K/LO/HL1P	9.2"	2	11	1680	Low	K	LDE1 4 U1UKS-CA050	LT18W/8T-XT
LULK/2G11/18W/P/2/8T/KN/LO/HL1P	9.2"	2	11	1680	Low	KN	LDE1 4 U1UKN-CA050	LT18W/8T-XT
LULK/2G11/18W/P/2/8T/M/LO/HL1P	9.2"	2	11	1680	Low	M	LDE1 3 U1UMN-BA050	LT18W/8T-XT
LULK/2G11/18W/P/3/8T/K/LO/HL1P	9.2"	3	16.5	2520	Low	K	LDE1 4 U1UKS-CA075	LT18W/8T-XT
LULK/2G11/18W/P/3/8T/KN/LO/HL1P	9.2"	3	16.5	2520	Low	KN	LDE1 4 U1UKN-CA075	LT18W/8T-XT
LULK/2G11/18W/P/3/8T/M/LO/HL1P	9.2"	3	16.5	2520	Low	M	LDE1 3 U1UMN-BA075	LT18W/8T-XT
LULK/2G11/24W/P/1/8T/K/LO/HL1P	12.9"	1	6.5	930	Low	K	LDE1 4 U1UKS-AA025	LT24W/8T-XT
LULK/2G11/24W/P/1/8T/KN/LO/HL1P	12.9"	1	6.5	930	Low	KN	LDE1 4 U1UKN-AA025	LT24W/8T-XT
LULK/2G11/24W/P/1/8T/M/LO/HL1P	12.9"	1	6.5	930	Low	M	LDE1 1 U1UMN-MA025	LT24W/8T-XT
LULK/2G11/24W/P/2/8T/K/LO/HL1P	12.9"	2	13	1860	Low	K	LDE1 4 U1UKS-CA050	LT24W/8T-XT
LULK/2G11/24W/P/2/8T/KN/LO/HL1P	12.9"	2	13	1860	Low	KN	LDE1 4 U1UKN-CA050	LT24W/8T-XT
LULK/2G11/24W/P/2/8T/M/LO/HL1P	12.9"	2	13	1860	Low	M	LDE1 3 U1UMN-BA050	LT24W/8T-XT
LULK/2G11/24W/P/3/8T/K/LO/HL1P	12.9"	3	19.5	2790	Low	K	LDE1 4 U1UKS-CA075	LT24W/8T-XT
LULK/2G11/24W/P/3/8T/KN/LO/HL1P	12.9"	3	19.5	2790	Low	KN	LDE1 4 U1UKN-CA075	LT24W/8T-XT
LULK/2G11/24W/P/3/8T/M/LO/HL1P	12.9"	3	19.5	2790	Low	M	LDE1 3 U1UMN-BA075	LT24W/8T-XT
LULK/2G11/36W/P/1/8T/K/LO/HL1P	16.6"	1	9	1400	Low	K	LDE1 4 U1UKS-AA025	LT36W/8T-XT
LULK/2G11/36W/P/1/8T/KN/LO/HL1P	16.6"	1	9	1400	Low	KN	LDE1 4 U1UKN-AA025	LT36W/8T-XT
LULK/2G11/36W/P/1/8T/M/LO/HL1P	16.6"	1	9	1400	Low	M	LDE1 1 U1UMN-MA025	LT36W/8T-XT
LULK/2G11/36W/P/2/8T/K/LO/HL1P	16.6"	2	18	2800	Low	K	LDE1 4 U1UKS-CA050	LT36W/8T-XT
LULK/2G11/36W/P/2/8T/KN/LO/HL1P	16.6"	2	18	2800	Low	KN	LDE1 4 U1UKN-CA050	LT36W/8T-XT
LULK/2G11/36W/P/2/8T/M/LO/HL1P	16.6"	2	18	2800	Low	M	LDE1 3 U1UMN-BA050	LT36W/8T-XT
LULK/2G11/36W/P/3/8T/K/LO/HL1P	16.6"	3	27	4200	Low	K	LDE1 4 U1UKS-CA075	LT36W/8T-XT
LULK/2G11/36W/P/3/8T/KN/LO/HL1P	16.6"	3	27	4200	Low	KN	LDE1 4 U1UKN-CA075	LT36W/8T-XT
LULK/2G11/36W/P/3/8T/M/LO/HL1P	16.6"	3	27	4200	Low	M	LDE1 3 U1UMN-BA075	LT36W/8T-XT
LULK/2G11/40W/P/1/8T/K/LO/HL1P	21.3"	1	11	1800	Low	K	LDE1 4 U1UKS-AA025	LT40W/8T-XT
LULK/2G11/40W/P/1/8T/KN/LO/HL1P	21.3"	1	11	1800	Low	KN	LDE1 4 U1UKN-AA025	LT40W/8T-XT
LULK/2G11/40W/P/1/8T/M/LO/HL1P	21.3"	1	11	1800	Low	M	LDE1 3 U1UMN-KA025	LT40W/8T-XT
LULK/2G11/40W/P/2/8T/K/LO/HL1P	21.3"	2	22	3600	Low	K	LDE1 4 U1UKS-BA050	LT40W/8T-XT
LULK/2G11/40W/P/2/8T/KN/LO/HL1P	21.3"	2	22	3600	Low	KN	LDE1 4 U1UKN-BA050	LT40W/8T-XT
LULK/2G11/40W/P/2/8T/M/LO/HL1P	21.3"	2	22	3600	Low	M	LDE1 3 U1UMN-TA050	LT40W/8T-XT
LULK/2G11/40W/P/3/8T/K/LO/HL1P	21.3"	3	33	5400	Low	K	LDE1 4 U1UKS-EA075	LT40W/8T-XT
LULK/2G11/40W/P/3/8T/KN/LO/HL1P	21.3"	3	33	5400	Low	KN	LDE1 4 U1UKN-EA075	LT40W/8T-XT
LULK/2G11/40W/P/3/8T/M/LO/HL1P	21.3"	3	33	5400	Low	M	LDE1 3 U1UMN-TA075	LT40W/8T-XT
LULK/2G11/18W/P/1/8T/K/NO/HL1P	9.2"	1	6.5	980	Normal	K	LDE1 4 U1UKS-AA030	LT18W/8T-XT
LULK/2G11/18W/P/1/8T/KN/NO/HL1P	9.2"	1	6.5	980	Normal	KN	LDE1 4 U1UKN-AA030	LT18W/8T-XT
LULK/2G11/18W/P/1/8T/M/NO/HL1P	9.2"	1	6.5	980	Normal	M	LDE1 1 U1UMN-MA030	LT18W/8T-XT
LULK/2G11/18W/P/2/8T/K/NO/HL1P	9.2"	2	13	1960	Normal	K	LDE1 4 U1UKS-CA060	LT18W/8T-XT
LULK/2G11/18W/P/2/8T/KN/NO/HL1P	9.2"	2	13	1960	Normal	KN	LDE1 4 U1UKN-CA060	LT18W/8T-XT
LULK/2G11/18W/P/2/8T/M/NO/HL1P	9.2"	2	13	1960	Normal	M	LDE1 3 U1UMN-BA060	LT18W/8T-XT
LULK/2G11/18W/P/3/8T/K/NO/HL1P	9.2"	3	19.5	2940	Normal	K	LDE1 4 U1UKS-CA090	LT18W/8T-XT
LULK/2G11/18W/P/3/8T/KN/NO/HL1P	9.2"	3	19.5	2940	Normal	KN	LDE1 4 U1UKN-CA090	LT18W/8T-XT
LULK/2G11/18W/P/3/8T/M/NO/HL1P	9.2"	3	19.5	2940	Normal	M	LDE1 3 U1UMN-BA090	LT18W/8T-XT
LULK/2G11/24W/P/1/8T/K/NO/HL1P	12.9"	1	7.5	1090	Normal	K	LDE1 4 U1UKS-AA030	LT24W/8T-XT
LULK/2G11/24W/P/1/8T/KN/NO/HL1P	12.9"	1	7.5	1090	Normal	KN	LDE1 4 U1UKN-AA030	LT24W/8T-XT
LULK/2G11/24W/P/1/8T/M/NO/HL1P	12.9"	1	7.5	1090	Normal	M	LDE1 1 U1UMN-MA030	LT24W/8T-XT
LULK/2G11/24W/P/2/8T/K/NO/HL1P	12.9"	2	15	2180	Normal	K	LDE1 4 U1UKS-CA060	LT24W/8T-XT
LULK/2G11/24W/P/2/8T/KN/NO/HL1P	12.9"	2	15	2180	Normal	KN	LDE1 4 U1UKN-CA060	LT24W/8T-XT
LULK/2G11/24W/P/2/8T/M/NO/HL1P	12.9"	2	15	2180	Normal	M	LDE1 3 U1UMN-BA060	LT24W/8T-XT
LULK/2G11/24W/P/3/8T/K/NO/HL1P	12.9"	3	22.5	3270	Normal	K	LDE1 4 U1UKS-CA090	LT24W/8T-XT
LULK/2G11/24W/P/3/8T/KN/NO/HL1P	12.9"	3	22.5	3270	Normal	KN	LDE1 4 U1UKN-CA090	LT24W/8T-XT
LULK/2G11/24W/P/3/8T/M/NO/HL1P	12.9"	3	22.5	3270	Normal	M	LDE1 3 U1UMN-BA090	LT24W/8T-XT

Lamp performance data based on worst performing CCT. Variations in environmental conditions, fixture type and others may cause performance to vary.



PERFORMANCE DATA

HL1P Hi-Lume 1% EcoSystem DRIVER (LDE1 Seires)

PART #	LAMP LENGTH	LAMPS PER DRIVER	SYSTEM WATTAGE	SYSTEM LUMENS	OUTPUT MODE	DRIVER CASE	DRIVER MODEL	LAMP MODEL
LULK/2G11/36W/P/1/8T/K/NO/HL1P	16.6"	1	11	1640	Normal	K	LDE1 4 U1UKS-AA030	LT36W/8T-XT
LULK/2G11/36W/P/1/8T/KN/NO/HL1P	16.6"	1	11	1640	Normal	KN	LDE1 4 U1UKN-AA030	LT36W/8T-XT
LULK/2G11/36W/P/1/8T/M/NO/HL1P	16.6"	1	11	1640	Normal	M	LDE1 1 U1UMN-MA030	LT36W/8T-XT
LULK/2G11/36W/P/2/8T/K/NO/HL1P	16.6"	2	22	3280	Normal	K	LDE1 4 U1UKS-CA060	LT36W/8T-XT
LULK/2G11/36W/P/2/8T/KN/NO/HL1P	16.6"	2	22	3280	Normal	KN	LDE1 4 U1UKN-CA060	LT36W/8T-XT
LULK/2G11/36W/P/2/8T/M/NO/HL1P	16.6"	2	22	3280	Normal	M	LDE1 3 U1UMN-BA060	LT36W/8T-XT
LULK/2G11/36W/P/3/8T/K/NO/HL1P	16.6"	3	33	4920	Normal	K	LDE1 4 U1UKS-CA090	LT36W/8T-XT
LULK/2G11/36W/P/3/8T/KN/NO/HL1P	16.6"	3	33	4920	Normal	KN	LDE1 4 U1UKN-CA090	LT36W/8T-XT
LULK/2G11/36W/P/3/8T/M/NO/HL1P	16.6"	3	33	4920	Normal	M	LDE1 3 U1UMN-BA090	LT36W/8T-XT
LULK/2G11/40W/P/1/8T/K/NO/HL1P	21.3"	1	13	2140	Normal	K	LDE1 4 U1UKS-AA030	LT40W/8T-XT
LULK/2G11/40W/P/1/8T/KN/NO/HL1P	21.3"	1	13	2140	Normal	KN	LDE1 4 U1UKN-AA030	LT40W/8T-XT
LULK/2G11/40W/P/1/8T/M/NO/HL1P	21.3"	1	13	2140	Normal	M	LDE1 3 U1UMN-KA030	LT40W/8T-XT
LULK/2G11/40W/P/2/8T/K/NO/HL1P	21.3"	2	26	4280	Normal	K	LDE1 4 U1UKS-BA060	LT40W/8T-XT
LULK/2G11/40W/P/2/8T/KN/NO/HL1P	21.3"	2	26	4280	Normal	KN	LDE1 4 U1UKN-BA060	LT40W/8T-XT
LULK/2G11/40W/P/2/8T/M/NO/HL1P	21.3"	2	26	4280	Normal	M	LDE1 3 U1UMN-TA060	LT40W/8T-XT
LULK/2G11/40W/P/3/8T/K/NO/HL1P	21.3"	3	39	6420	Normal	K	LDE1 4 U1UKS-EA090	LT40W/8T-XT
LULK/2G11/40W/P/3/8T/KN/NO/HL1P	21.3"	3	39	6420	Normal	KN	LDE1 4 U1UKN-EA090	LT40W/8T-XT
LULK/2G11/40W/P/3/8T/M/NO/HL1P	21.3"	3	39	6420	Normal	M	LDE1 3 U1UMN-UA090	LT40W/8T-XT
LULK/2G11/18W/P/1/8T/K/HO/HL1P	9.2"	1	8	1130	High	K	LDE1 4 U1UKS-AA036	LT18W/8T-XT
LULK/2G11/18W/P/1/8T/KN/HO/HL1P	9.2"	1	8	1130	High	KN	LDE1 4 U1UKN-AA036	LT18W/8T-XT
LULK/2G11/18W/P/1/8T/M/HO/HL1P	9.2"	1	8	1130	High	M	LDE1 1 U1UMN-MA036	LT18W/8T-XT
LULK/2G11/18W/P/2/8T/K/HO/HL1P	9.2"	2	16	2260	High	K	LDE1 4 U1UKS-CA072	LT18W/8T-XT
LULK/2G11/18W/P/2/8T/KN/HO/HL1P	9.2"	2	16	2260	High	KN	LDE1 4 U1UKN-CA072	LT18W/8T-XT
LULK/2G11/18W/P/2/8T/M/HO/HL1P	9.2"	2	16	2260	High	M	LDE1 3 U1UMN-BA072	LT18W/8T-XT
LULK/2G11/18W/P/3/8T/K/HO/HL1P	9.2"	3	24	3390	High	K	LDE1 4 U1UKS-FA108	LT18W/8T-XT
LULK/2G11/18W/P/3/8T/KN/HO/HL1P	9.2"	3	24	3390	High	KN	LDE1 4 U1UKN-FA108	LT18W/8T-XT
LULK/2G11/18W/P/3/8T/M/HO/HL1P	9.2"	3	24	3390	High	M	LDE1 3 U1UMN-BA108	LT18W/8T-XT
LULK/2G11/24W/P/1/8T/K/HO/HL1P	12.9"	1	9	1260	High	K	LDE1 4 U1UKS-AA036	LT24W/8T-XT
LULK/2G11/24W/P/1/8T/KN/HO/HL1P	12.9"	1	9	1260	High	KN	LDE1 4 U1UKN-AA036	LT24W/8T-XT
LULK/2G11/24W/P/1/8T/M/HO/HL1P	12.9"	1	9	1260	High	M	LDE1 1 U1UMN-MA036	LT24W/8T-XT
LULK/2G11/24W/P/2/8T/K/HO/HL1P	12.9"	2	18	2520	High	K	LDE1 4 U1UKS-CA072	LT24W/8T-XT
LULK/2G11/24W/P/2/8T/KN/HO/HL1P	12.9"	2	18	2520	High	KN	LDE1 4 U1UKN-CA072	LT24W/8T-XT
LULK/2G11/24W/P/2/8T/M/HO/HL1P	12.9"	2	18	2520	High	M	LDE1 3 U1UMN-BA072	LT24W/8T-XT
LULK/2G11/24W/P/3/8T/K/HO/HL1P	12.9"	3	27	3780	High	K	LDE1 4 U1UKS-FA108	LT24W/8T-XT
LULK/2G11/24W/P/3/8T/KN/HO/HL1P	12.9"	3	27	3780	High	KN	LDE1 4 U1UKN-FA108	LT24W/8T-XT
LULK/2G11/24W/P/3/8T/M/HO/HL1P	12.9"	3	27	3780	High	M	LDE1 3 U1UMN-BA108	LT24W/8T-XT
LULK/2G11/36W/P/1/8T/K/HO/HL1P	16.6"	1	13	1900	High	K	LDE1 4 U1UKS-AA036	LT36W/8T-XT
LULK/2G11/36W/P/1/8T/KN/HO/HL1P	16.6"	1	13	1900	High	KN	LDE1 4 U1UKN-AA036	LT36W/8T-XT
LULK/2G11/36W/P/1/8T/M/HO/HL1P	16.6"	1	13	1900	High	M	LDE1 1 U1UMN-KA036	LT36W/8T-XT
LULK/2G11/36W/P/2/8T/K/HO/HL1P	16.6"	2	26	3800	High	K	LDE1 4 U1UKS-EA072	LT36W/8T-XT
LULK/2G11/36W/P/2/8T/KN/HO/HL1P	16.6"	2	26	3800	High	KN	LDE1 4 U1UKN-EA072	LT36W/8T-XT
LULK/2G11/36W/P/2/8T/M/HO/HL1P	16.6"	2	26	3800	High	M	LDE1 3 U1UMN-TA108	LT36W/8T-XT
LULK/2G11/36W/P/3/8T/K/HO/HL1P	16.6"	3	39	5700	High	K	LDE1 4 U1UKS-FA108	LT36W/8T-XT
LULK/2G11/36W/P/3/8T/KN/HO/HL1P	16.6"	3	39	5700	High	KN	LDE1 4 U1UKN-FA108	LT36W/8T-XT
LULK/2G11/36W/P/3/8T/M/HO/HL1P	16.6"	3	39	5700	High	M	LDE1 3 U1UMN-UA108	LT36W/8T-XT
LULK/2G11/40W/P/1/8T/K/HO/HL1P	21.3"	1	15	2480	High	K	LDE1 4 U1UKS-AA036	LT40W/8T-XT
LULK/2G11/40W/P/1/8T/KN/HO/HL1P	21.3"	1	15	2480	High	KN	LDE1 4 U1UKN-AA036	LT40W/8T-XT
LULK/2G11/40W/P/1/8T/M/HO/HL1P	21.3"	1	15	2480	High	M	LDE1 1 U1UMN-KA036	LT40W/8T-XT
LULK/2G11/40W/P/2/8T/K/HO/HL1P	21.3"	2	30	4960	High	K	LDE1 4 U1UKS-EA072	LT40W/8T-XT
LULK/2G11/40W/P/2/8T/KN/HO/HL1P	21.3"	2	30	4960	High	KN	LDE1 4 U1UKN-EA072	LT40W/8T-XT
LULK/2G11/40W/P/2/8T/M/HO/HL1P	21.3"	2	30	4960	High	M	LDE1 3 U1UMN-TA108	LT40W/8T-XT
LULK/2G11/40W/P/3/8T/M/HO/HL1P	21.3"	3	45	7440	High	M	LDE1 3 U1UMN-UA108	LT40W/8T-XT

Lamp performance data based on worst performing CCT. Variations in environmental conditions, fixture type and others may cause performance to vary.



**PERFORMANCE DATA**
**HL1P3W Hi-Lume 1% EcoSystem / 3-Wire DRIVER (L3D Seires)**

PART #	LAMP LENGTH	LAMPS PER DRIVER	SYSTEM WATTAGE	SYSTEM LUMENS	OUTPUT MODE	DRIVER CASE	DRIVER MODEL	LAMP MODEL
LULK/2G11/18W/P/1/8T/K/LO/HL1P3W	9.2"	1	5.5	840	Low	K	L3DA4U1UKS-HA025	LT18W/8T-XT
LULK/2G11/18W/P/1/8T/KN/LO/HL1P3W	9.2"	1	5.5	840	Low	KN	L3DA4U1UKN-HA025	LT18W/8T-XT
LULK/2G11/18W/P/1/8T/M/LO/HL1P3W	9.2"	1	5.5	840	Low	M	L3DA4U1UMN-HA025	LT18W/8T-XT
LULK/2G11/18W/P/2/8T/K/LO/HL1P3W	9.2"	2	11	1680	Low	K	L3DA4U1UKS-HA050	LT18W/8T-XT
LULK/2G11/18W/P/2/8T/KN/LO/HL1P3W	9.2"	2	11	1680	Low	KN	L3DA4U1UKN-HA050	LT18W/8T-XT
LULK/2G11/18W/P/2/8T/M/LO/HL1P3W	9.2"	2	11	1680	Low	M	L3DA4U1UMN-HA050	LT18W/8T-XT
LULK/2G11/18W/P/3/8T/K/LO/HL1P3W	9.2"	3	16.5	2520	Low	K	L3DA4U1UKS-JA090	LT18W/8T-XT
LULK/2G11/18W/P/3/8T/KN/LO/HL1P3W	9.2"	3	16.5	2520	Low	KN	L3DA4U1UKN-JA090	LT18W/8T-XT
LULK/2G11/18W/P/3/8T/M/LO/HL1P3W	9.2"	3	16.5	2520	Low	M	L3DA4U1UMN-JA090	LT18W/8T-XT
LULK/2G11/24W/P/1/8T/K/LO/HL1P3W	12.9"	1	6.5	930	Low	K	L3DA4U1UKS-HA025	LT24W/8T-XT
LULK/2G11/24W/P/1/8T/KN/LO/HL1P3W	12.9"	1	6.5	930	Low	KN	L3DA4U1UKN-HA025	LT24W/8T-XT
LULK/2G11/24W/P/1/8T/M/LO/HL1P3W	12.9"	1	6.5	930	Low	M	L3DA4U1UMN-HA025	LT24W/8T-XT
LULK/2G11/24W/P/2/8T/K/LO/HL1P3W	12.9"	2	13	1860	Low	K	L3DA4U1UKS-HA050	LT24W/8T-XT
LULK/2G11/24W/P/2/8T/KN/LO/HL1P3W	12.9"	2	13	1860	Low	KN	L3DA4U1UKN-HA050	LT24W/8T-XT
LULK/2G11/24W/P/2/8T/M/LO/HL1P3W	12.9"	2	13	1860	Low	M	L3DA4U1UMN-HA050	LT24W/8T-XT
LULK/2G11/24W/P/3/8T/K/LO/HL1P3W	12.9"	3	19.5	2790	Low	K	L3DA4U1UKS-JA090	LT24W/8T-XT
LULK/2G11/24W/P/3/8T/KN/LO/HL1P3W	12.9"	3	19.5	2790	Low	KN	L3DA4U1UKN-JA090	LT24W/8T-XT
LULK/2G11/24W/P/3/8T/M/LO/HL1P3W	12.9"	3	19.5	2790	Low	M	L3DA4U1UMN-JA090	LT24W/8T-XT
LULK/2G11/36W/P/1/8T/K/LO/HL1P3W	16.6"	1	9	1400	Low	K	L3DA4U1UKS-HA025	LT36W/8T-XT
LULK/2G11/36W/P/1/8T/KN/LO/HL1P3W	16.6"	1	9	1400	Low	KN	L3DA4U1UKN-HA025	LT36W/8T-XT
LULK/2G11/36W/P/1/8T/M/LO/HL1P3W	16.6"	1	9	1400	Low	M	L3DA4U1UMN-HA025	LT36W/8T-XT
LULK/2G11/36W/P/2/8T/K/LO/HL1P3W	16.6"	2	18	2800	Low	K	L3DA4U1UKS-HA050	LT36W/8T-XT
LULK/2G11/36W/P/2/8T/KN/LO/HL1P3W	16.6"	2	18	2800	Low	KN	L3DA4U1UKN-HA050	LT36W/8T-XT
LULK/2G11/36W/P/2/8T/M/LO/HL1P3W	16.6"	2	18	2800	Low	M	L3DA4U1UMN-HA050	LT36W/8T-XT
LULK/2G11/36W/P/3/8T/K/LO/HL1P3W	16.6"	3	27	4200	Low	K	L3DA4U1UKS-JA090	LT36W/8T-XT
LULK/2G11/36W/P/3/8T/KN/LO/HL1P3W	16.6"	3	27	4200	Low	KN	L3DA4U1UKN-JA090	LT36W/8T-XT
LULK/2G11/36W/P/3/8T/M/LO/HL1P3W	16.6"	3	27	4200	Low	M	L3DA4U1UMN-JA090	LT36W/8T-XT
LULK/2G11/40W/P/1/8T/K/LO/HL1P3W	21.3"	1	11	1800	Low	K	L3DA4U1UKS-EA025	LT40W/8T-XT
LULK/2G11/40W/P/1/8T/KN/LO/HL1P3W	21.3"	1	11	1800	Low	KN	L3DA4U1UKN-EA025	LT40W/8T-XT
LULK/2G11/40W/P/1/8T/M/LO/HL1P3W	21.3"	1	11	1800	Low	M	L3DA4U1UMN-EA025	LT40W/8T-XT
LULK/2G11/40W/P/2/8T/K/LO/HL1P3W	21.3"	2	22	3600	Low	K	L3DA4U1UKS-EA050	LT40W/8T-XT
LULK/2G11/40W/P/2/8T/KN/LO/HL1P3W	21.3"	2	22	3600	Low	KN	L3DA4U1UKN-EA050	LT40W/8T-XT
LULK/2G11/40W/P/2/8T/M/LO/HL1P3W	21.3"	2	22	3600	Low	M	L3DA4U1UMN-EA050	LT40W/8T-XT
LULK/2G11/40W/P/3/8T/K/LO/HL1P3W	21.3"	3	33	5400	Low	K	L3DA4U1UKS-FA075	LT40W/8T-XT
LULK/2G11/40W/P/3/8T/KN/LO/HL1P3W	21.3"	3	33	5400	Low	KN	L3DA4U1UKN-FA075	LT40W/8T-XT
LULK/2G11/40W/P/3/8T/M/LO/HL1P3W	21.3"	3	33	5400	Low	M	L3DA4U1UMN-FA075	LT40W/8T-XT
LULK/2G11/18W/P/1/8T/K/NO/HL1P3W	9.2"	1	6.5	980	Normal	K	L3DA4U1UKS-HA030	LT18W/8T-XT
LULK/2G11/18W/P/1/8T/KN/NO/HL1P3W	9.2"	1	6.5	980	Normal	KN	L3DA4U1UKN-HA030	LT18W/8T-XT
LULK/2G11/18W/P/1/8T/M/NO/HL1P3W	9.2"	1	6.5	980	Normal	M	L3DA4U1UMN-HA030	LT18W/8T-XT
LULK/2G11/18W/P/2/8T/K/NO/HL1P3W	9.2"	2	13	1960	Normal	K	L3DA4U1UKS-HA060	LT18W/8T-XT
LULK/2G11/18W/P/2/8T/KN/NO/HL1P3W	9.2"	2	13	1960	Normal	KN	L3DA4U1UKN-HA060	LT18W/8T-XT
LULK/2G11/18W/P/2/8T/M/NO/HL1P3W	9.2"	2	13	1960	Normal	M	L3DA4U1UMN-HA060	LT18W/8T-XT
LULK/2G11/18W/P/3/8T/K/NO/HL1P3W	9.2"	3	19.5	2940	Normal	K	L3DA4U1UKS-JA090	LT18W/8T-XT
LULK/2G11/18W/P/3/8T/KN/NO/HL1P3W	9.2"	3	19.5	2940	Normal	KN	L3DA4U1UKN-JA090	LT18W/8T-XT
LULK/2G11/18W/P/3/8T/M/NO/HL1P3W	9.2"	3	19.5	2940	Normal	M	L3DA4U1UMN-JA090	LT18W/8T-XT
LULK/2G11/24W/P/1/8T/K/NO/HL1P3W	12.9"	1	7.5	1090	Normal	K	L3DA4U1UKS-HA030	LT24W/8T-XT
LULK/2G11/24W/P/1/8T/KN/NO/HL1P3W	12.9"	1	7.5	1090	Normal	KN	L3DA4U1UKN-HA030	LT24W/8T-XT
LULK/2G11/24W/P/1/8T/M/NO/HL1P3W	12.9"	1	7.5	1090	Normal	M	L3DA4U1UMN-HA030	LT24W/8T-XT
LULK/2G11/24W/P/2/8T/K/NO/HL1P3W	12.9"	2	15	2180	Normal	K	L3DA4U1UKS-HA060	LT24W/8T-XT
LULK/2G11/24W/P/2/8T/KN/NO/HL1P3W	12.9"	2	15	2180	Normal	KN	L3DA4U1UKN-HA060	LT24W/8T-XT
LULK/2G11/24W/P/2/8T/M/NO/HL1P3W	12.9"	2	15	2180	Normal	M	L3DA4U1UMN-HA060	LT24W/8T-XT
LULK/2G11/24W/P/3/8T/K/NO/HL1P3W	12.9"	3	22.5	3270	Normal	K	L3DA4U1UKS-JA090	LT24W/8T-XT
LULK/2G11/24W/P/3/8T/KN/NO/HL1P3W	12.9"	3	22.5	3270	Normal	KN	L3DA4U1UKN-JA090	LT24W/8T-XT
LULK/2G11/24W/P/3/8T/M/NO/HL1P3W	12.9"	3	22.5	3270	Normal	M	L3DA4U1UMN-JA090	LT24W/8T-XT

Lamp performance data based on worst performing CCT. Variations in environmental conditions, fixture type and others may cause performance to vary.



## PERFORMANCE DATA

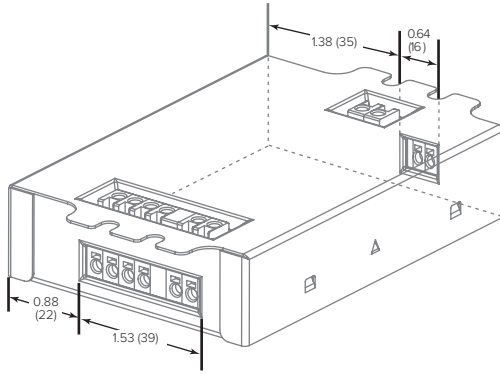
### HL1P3W Hi-Lume 1% EcoSystem / 3-Wire DRIVER (L3D Seires)

PART #	LAMP LENGTH	LAMPS PER DRIVER	SYSTEM WATTAGE	SYSTEM LUMENS	OUTPUT MODE	DRIVER CASE	DRIVER MODEL	LAMP MODEL
LULK/2G11/36W/P/1/8T/K/NO/HL1P3W	16.6"	1	11	1640	Normal	K	L3DA4U1UKS-HA030	LT36W/8T-XT
LULK/2G11/36W/P/1/8T/KN/NO/HL1P3W	16.6"	1	11	1640	Normal	KN	L3DA4U1UKN-HA030	LT36W/8T-XT
LULK/2G11/36W/P/1/8T/M/NO/HL1P3W	16.6"	1	11	1640	Normal	M	L3DA4U1UMN-HA030	LT36W/8T-XT
LULK/2G11/36W/P/2/8T/K/NO/HL1P3W	16.6"	2	22	3280	Normal	K	L3DA4U1UKS-HA060	LT36W/8T-XT
LULK/2G11/36W/P/2/8T/KN/NO/HL1P3W	16.6"	2	22	3280	Normal	KN	L3DA4U1UKN-HA060	LT36W/8T-XT
LULK/2G11/36W/P/2/8T/M/NO/HL1P3W	16.6"	2	22	3280	Normal	M	L3DA4U1UMN-HA060	LT36W/8T-XT
LULK/2G11/36W/P/3/8T/K/NO/HL1P3W	16.6"	3	33	4920	Normal	K	L3DA4U1UKS-JA090	LT36W/8T-XT
LULK/2G11/36W/P/3/8T/KN/NO/HL1P3W	16.6"	3	33	4920	Normal	KN	L3DA4U1UKN-JA090	LT36W/8T-XT
LULK/2G11/36W/P/3/8T/M/NO/HL1P3W	16.6"	3	33	4920	Normal	M	L3DA4U1UMN-JA090	LT36W/8T-XT
LULK/2G11/40W/P/1/8T/K/NO/HL1P3W	21.3"	1	13	2140	Normal	K	L3DA4U1UKS-EA030	LT40W/8T-XT
LULK/2G11/40W/P/1/8T/KN/NO/HL1P3W	21.3"	1	13	2140	Normal	KN	L3DA4U1UKN-EA030	LT40W/8T-XT
LULK/2G11/40W/P/1/8T/M/NO/HL1P3W	21.3"	1	13	2140	Normal	M	L3DA4U1UMN-EA030	LT40W/8T-XT
LULK/2G11/40W/P/2/8T/K/NO/HL1P3W	21.3"	2	26	4280	Normal	K	L3DA4U1UKS-FA060	LT40W/8T-XT
LULK/2G11/40W/P/2/8T/KN/NO/HL1P3W	21.3"	2	26	4280	Normal	KN	L3DA4U1UKN-FA060	LT40W/8T-XT
LULK/2G11/40W/P/2/8T/M/NO/HL1P3W	21.3"	2	26	4280	Normal	M	L3DA4U1UMN-FA060	LT40W/8T-XT
LULK/2G11/40W/P/3/8T/K/NO/HL1P3W	21.3"	3	39	6420	Normal	K	L3DA4U1UKS-FA090	LT40W/8T-XT
LULK/2G11/40W/P/3/8T/KN/NO/HL1P3W	21.3"	3	39	6420	Normal	KN	L3DA4U1UKN-FA090	LT40W/8T-XT
LULK/2G11/40W/P/3/8T/M/NO/HL1P3W	21.3"	3	39	6420	Normal	M	L3DA4U1UMN-FA090	LT40W/8T-XT
LULK/2G11/18W/P/1/8T/K/HO/HL1P3W	9.2"	1	8	1130	High	K	L3DA4U1UKS-HA036	LT18W/8T-XT
LULK/2G11/18W/P/1/8T/KN/HO/HL1P3W	9.2"	1	8	1130	High	KN	L3DA4U1UKN-HA036	LT18W/8T-XT
LULK/2G11/18W/P/1/8T/M/HO/HL1P3W	9.2"	1	8	1130	High	M	L3DA4U1UMN-HA036	LT18W/8T-XT
LULK/2G11/18W/P/2/8T/K/HO/HL1P3W	9.2"	2	16	2260	High	K	L3DA4U1UKS-JA072	LT18W/8T-XT
LULK/2G11/18W/P/2/8T/KN/HO/HL1P3W	9.2"	2	16	2260	High	KN	L3DA4U1UKN-JA072	LT18W/8T-XT
LULK/2G11/18W/P/2/8T/M/HO/HL1P3W	9.2"	2	16	2260	High	M	L3DA4U1UMN-JA072	LT18W/8T-XT
LULK/2G11/18W/P/3/8T/K/HO/HL1P3W	9.2"	3	24	3390	High	K	L3DA4U1UKS-JA105	LT18W/8T-XT
LULK/2G11/18W/P/3/8T/KN/HO/HL1P3W	9.2"	3	24	3390	High	KN	L3DA4U1UKN-JA105	LT18W/8T-XT
LULK/2G11/18W/P/3/8T/M/HO/HL1P3W	9.2"	3	24	3390	High	M	L3DA4U1UMN-JA105	LT18W/8T-XT
LULK/2G11/24W/P/1/8T/K/HO/HL1P3W	12.9"	1	9	1260	High	K	L3DA4U1UKS-HA036	LT24W/8T-XT
LULK/2G11/24W/P/1/8T/KN/HO/HL1P3W	12.9"	1	9	1260	High	KN	L3DA4U1UKN-HA036	LT24W/8T-XT
LULK/2G11/24W/P/1/8T/M/HO/HL1P3W	12.9"	1	9	1260	High	M	L3DA4U1UMN-HA036	LT24W/8T-XT
LULK/2G11/24W/P/2/8T/K/HO/HL1P3W	12.9"	2	18	2520	High	K	L3DA4U1UKS-JA072	LT24W/8T-XT
LULK/2G11/24W/P/2/8T/KN/HO/HL1P3W	12.9"	2	18	2520	High	KN	L3DA4U1UKN-JA072	LT24W/8T-XT
LULK/2G11/24W/P/2/8T/M/HO/HL1P3W	12.9"	2	18	2520	High	M	L3DA4U1UMN-JA072	LT24W/8T-XT
LULK/2G11/24W/P/3/8T/K/HO/HL1P3W	12.9"	3	27	3780	High	K	L3DA4U1UKS-JA105	LT24W/8T-XT
LULK/2G11/24W/P/3/8T/KN/HO/HL1P3W	12.9"	3	27	3780	High	KN	L3DA4U1UKN-JA105	LT24W/8T-XT
LULK/2G11/24W/P/3/8T/M/HO/HL1P3W	12.9"	3	27	3780	High	M	L3DA4U1UMN-JA105	LT24W/8T-XT
LULK/2G11/36W/P/1/8T/K/HO/HL1P3W	16.6"	1	13	1900	High	K	L3DA4U1UKS-HA036	LT36W/8T-XT
LULK/2G11/36W/P/1/8T/KN/HO/HL1P3W	16.6"	1	13	1900	High	KN	L3DA4U1UKN-HA036	LT36W/8T-XT
LULK/2G11/36W/P/1/8T/M/HO/HL1P3W	16.6"	1	13	1900	High	M	L3DA4U1UMN-HA036	LT36W/8T-XT
LULK/2G11/36W/P/2/8T/K/HO/HL1P3W	16.6"	2	26	3800	High	K	L3DA4U1UKS-JA072	LT36W/8T-XT
LULK/2G11/36W/P/2/8T/KN/HO/HL1P3W	16.6"	2	26	3800	High	KN	L3DA4U1UKN-JA072	LT36W/8T-XT
LULK/2G11/36W/P/2/8T/M/HO/HL1P3W	16.6"	2	26	3800	High	M	L3DA4U1UMN-JA072	LT36W/8T-XT
LULK/2G11/36W/P/3/8T/K/HO/HL1P3W	16.6"	3	39	5700	High	K	L3DA4U1UKS-JA105	LT36W/8T-XT
LULK/2G11/36W/P/3/8T/KN/HO/HL1P3W	16.6"	3	39	5700	High	KN	L3DA4U1UKN-JA105	LT36W/8T-XT
LULK/2G11/36W/P/3/8T/M/HO/HL1P3W	16.6"	3	39	5700	High	M	L3DA4U1UMN-JA105	LT36W/8T-XT
LULK/2G11/40W/P/1/8T/K/HO/HL1P3W	21.3"	1	15	2480	High	K	L3DA4U1UKS-EA036	LT40W/8T-XT
LULK/2G11/40W/P/1/8T/KN/HO/HL1P3W	21.3"	1	15	2480	High	KN	L3DA4U1UKN-EA036	LT40W/8T-XT
LULK/2G11/40W/P/1/8T/M/HO/HL1P3W	21.3"	1	15	2480	High	M	L3DA4U1UMN-EA036	LT40W/8T-XT
LULK/2G11/40W/P/2/8T/K/HO/HL1P3W	21.3"	2	30	4960	High	K	L3DA4U1UKS-FA072	LT40W/8T-XT
LULK/2G11/40W/P/2/8T/KN/HO/HL1P3W	21.3"	2	30	4960	High	KN	L3DA4U1UKN-FA072	LT40W/8T-XT
LULK/2G11/40W/P/2/8T/M/HO/HL1P3W	21.3"	2	30	4960	High	M	L3DA4U1UMN-FA072	LT40W/8T-XT
LULK/2G11/40W/P/3/8T/K/HO/HL1P3W	21.3"	3	45	7440	High	K	L3DA5U1UKS-NA105	LT40W/8T-XT
LULK/2G11/40W/P/3/8T/KN/HO/HL1P3W	21.3"	3	45	7440	High	KN	L3DA5U1UKN-NA105	LT40W/8T-XT

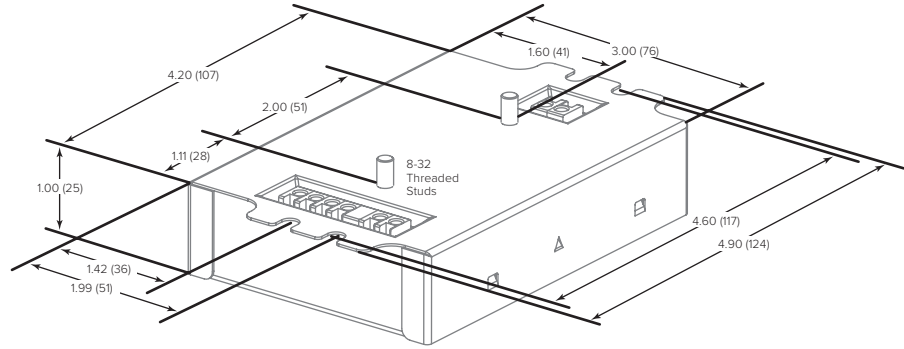


DRIVER DIMENSION

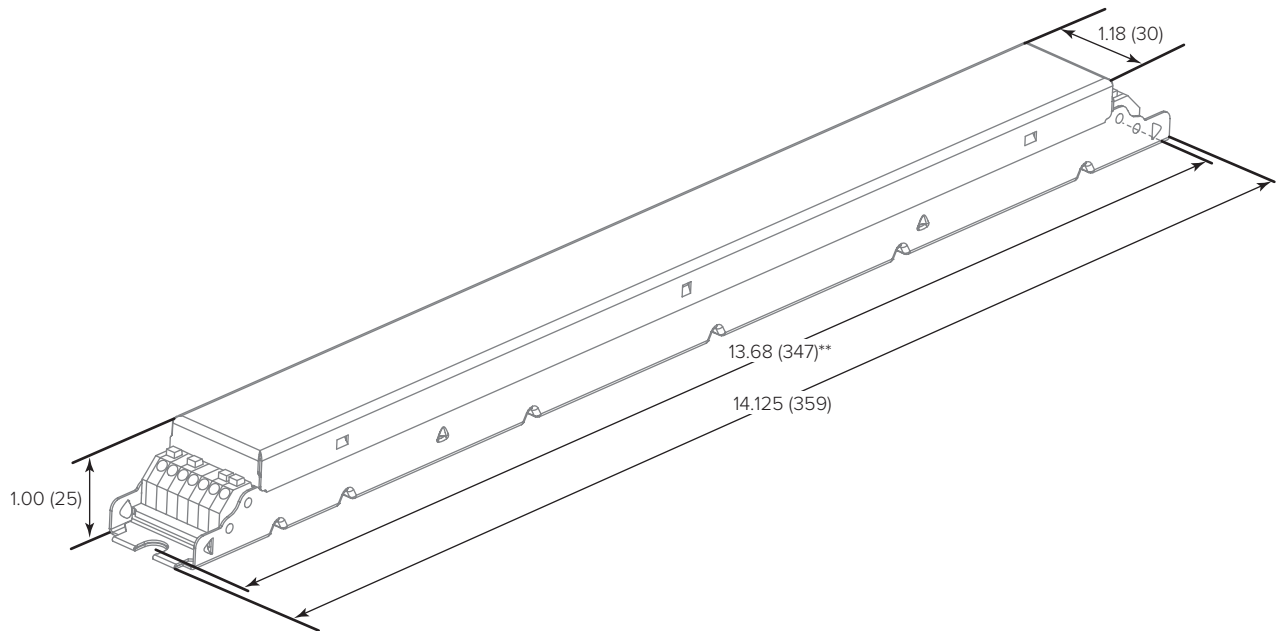
KN - Case  
Non-Studed



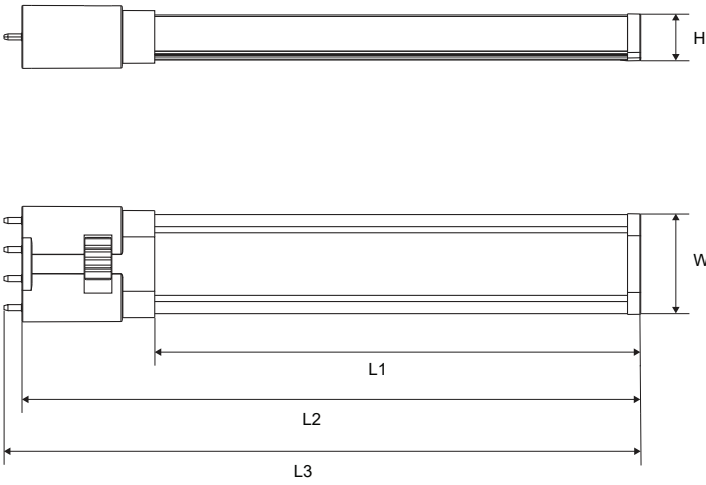
K - Case  
Studed



M-case Type



**LAMP DIMENSION**



MODEL	L1	L2	L3	W	H
LT18W/8T-XT	6.9"	8.9"	9.2"	1.5"	0.71"
LT24W/8T-XT	10.6"	12.6"	12.9"	1.5"	0.71"
LT36W/8T-XT	14.4"	16.3"	16.6"	1.5"	0.71"
LT40W/8T-XT	19.1"	21.1"	21.3"	1.5"	0.71"

**EMERGENCY BACKUP CONFIGURATION**

